



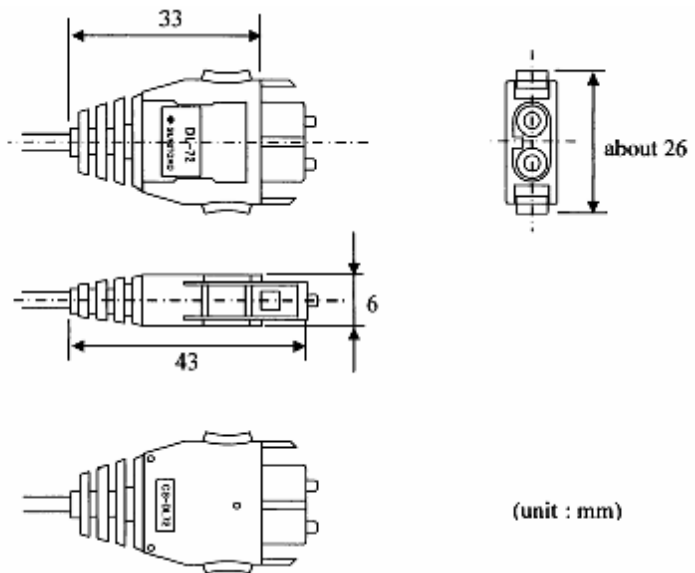
DL-72 Connector MELSECNET/H Series

Product Overview

It is fully compatible with all Mitsubishi Q series PLC module; completely replace the DL6-CP, DL-72, CA7003 and other fiber optic connectors. HPCF fiber has low loss, broadband domain excellent performance, but also has a rugged, easy to operate expertise, can easily be installed in the field crimping cutting optical connectors are used in various fields such as FA series.

Our professional on-site installation and testing tools can provide users with efficient and convenient on-site installation fitting service.

Connector



DL-72 fiber optic connector is compatible with the following manufacturers of connectors:
Mitsubishi CA7003, Hitachi: CA9003, SGK: SO1-L2.

Cable Structure

AS-B型 H-PCF

規格仕様	MELSECNET/H 25Mbps	400m
	MELSECNET/10/H 10Mbps	1000m
	MELSECNET (II)	1000m
芯数	2芯	
種類	H-PCF	
使用コネクタ	DL-72ME	

■特長 ●短距離・中距離伝送に適しています。
●伝信損失。

Indoor Type AS-B

AS-D補強型 H-PCF

規格仕様	MELSECNET/H 25Mbps	400m
	MELSECNET/10/H 10Mbps	1000m
	MELSECNET (II)	1000m
芯数	2C, 4C, 6C, 8C	
種類	H-PCF	
使用コネクタ	DL-72ME	

■特長 ●中距離伝送に適しています。
●室外環境で使用可能。

Outdoor Structure AS-B



Application:



Mating Adapter IAT-4000

Applied for the Long distance connection, extending the Cable length.



Armored Strength Type

Applied for tough application

Applies to the following types of modules:

Modules	Type	Transmission	Cable	Marks
QJ71LP21	Remote Station	Dual Loop	Optical Cable	SI/QSI/HPCF
QJ71LP21-25	Remote Station	Dual Loop	Optical Cable	SI/QSI/HPCF
QJ71LP21G	Remote Station	Dual Loop	Optical Cable	GI-50/125
QJ71LP21GE	Remote Station	Dual Loop	Optical Cable	GI-62.5/125
QJ72LP25-25	Remote I/O	Dual Loop	Optical Cable	SI/QSI/HPCF
QJ72LP25G	Remote I/O	Dual Loop	Optical Cable	GI-50/125
QJ71LP25GE	Remote I/O	Dual Loop	Optical Cable	GI-62.5/125
Q80BD-J71LP21-25	PC MELSECNET/H			SI/QSI/HPCF
Q80BD-J71LP21G	PC MELSECNET/H			GI-50/125

On-site installation and testing tools



On-site installation assembly tools dedicated to fast, high-quality completion of each connector assembly, cutting, using an ending check to see whether the quality of the cut surface of each standard instrument check whether the quality of the cut surface is ok or not.



CAT-series

After assembly of each connector, using a instrumentation test every fiber link attenuation index meets the requirements to ensure the quality of each fiber-optic lines, so that the device can work long-term stability