



Opto-electrical Composite Connector

Product Overview

Opto-electrical composite connector combine the fiber and electricity in one, with simultaneous transmission of multiple optical signals and electrical characteristics, with a special seal design, the use of safe, reliable connection, and has a waterproof and dustproof characteristics, widely used in remote base stations, etc. long-distance transmission equipment, can provide customers with two light two electric, two electric light 4, four photoelectric light two electric hybrid connector, customers can also request customized production.

Optoelectronic hybrid cable assembly can be customized according to actual needs into different cable lengths and connector combinations, all standard fiber optic connectors (eg LC, SC, etc.) can be connected. Mainly used: outdoor harsh environment fiber optic communications, pulling away communication base stations, intelligent substation, military communications equipment, railway signal control, mines and other harsh environments.

Products Pics & Ordering Info



2 fiber 2 power Plug (GD02G02D)



2 fiber Tactical Connector (YZ02S)



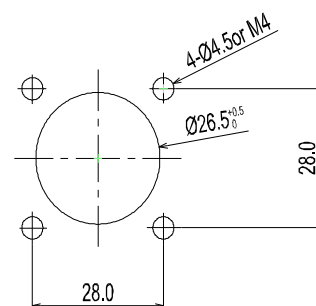
CBZS 2 fiber 2 power Plug (CBZS 02G02D P)



CBZS 2 fiber 2 power Socket (CBZS 02G02D S)

Connector Parameter

Insertion Loss	SM	$\leq 1.0\text{dB}$ (Typical $\leq 0.5\text{dB}$)
	MM	$\leq 1.0\text{dB}$ (Typical $\leq 0.2\text{dB}$)
Return Loss	SM	$\geq 50\text{dB}$
Mechanical	Plug	$\leq 1000\text{N}$ (Main Cable)
	Socket	$\leq 100\text{N}$ (Branch Cable)
Operation Temp.		$-40^{\circ}\text{C} \sim 85^{\circ}\text{C}$
IP Rate		IP67



Socket install Size

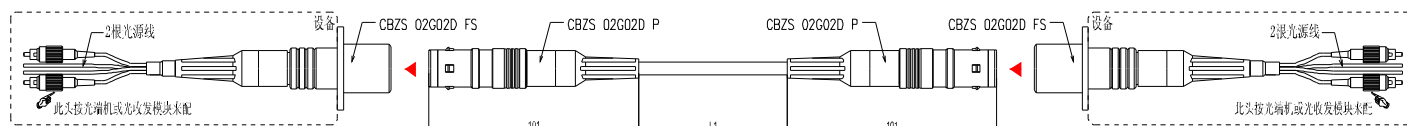
Cable Parameter

Cable OD.	5.0mm or 4.0mm
Outer Sheath	TPU
Anti-push Unit	KEVLAR
Fiber Type	9/125、50/125、62.5/125
Fiber Outer	900um fiber
Tensile Strength	Short term: 120N/ Long term: 600N

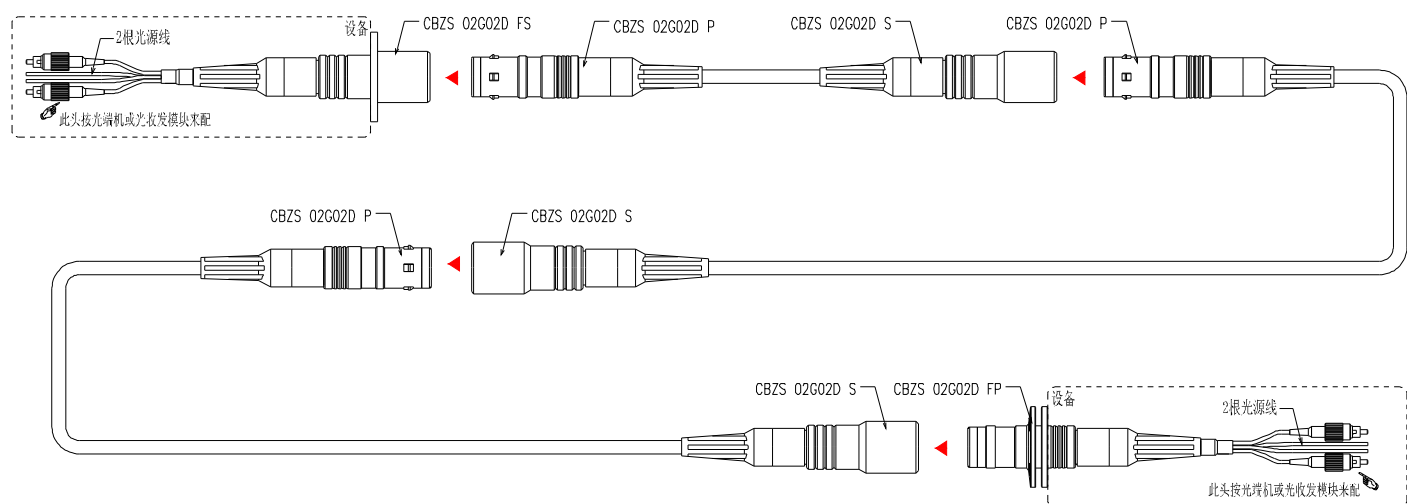
Branch Connector



Connection Drawing



Two equipment Link connection Drawing



Two equipment Link connection extending Drawing