

Tactical Cable Connector YZ

Features & Application

Designed for military field fiber optic cable supporting, neutral bayonet locking structure can be realized head and seat, head and head, seat and seat fast any connection. With multi-core once connected and blind insertion; connection loss, high reliability; rugged, waterproof, dustproof, resistance to harsh environments, etc., can be used in a variety of optical fiber communication network field army, military computer systems, airborne or ship borne equipment, repair and other outdoor optical cable system temporary connection. Product specifications are: 2 core, 4 core, 6-core, 8-core, 12 core.

Products are mainly used for: military emergency communications, broadcast television, emergency rush through optical fiber communications, mining, oil and so on.

Products pics & Ordering Info



2fiber Tactical Connector (YZ02P)



2fiber Tactical Connector (YZ02S)



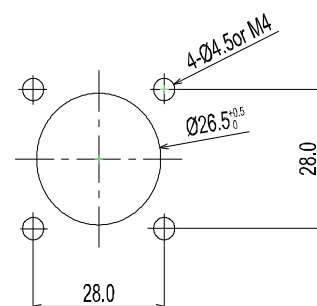
4fiber Tactical Connector (YZ04P)



4fiber Tactical Connector (YZ04S)

Connector Parameter

Insertion Loss	SM	$\leq 1.0\text{dB}$ (Typical $\leq 0.5\text{dB}$)
	MM	$\leq 1.0\text{dB}$ (Typical $\leq 0.3\text{dB}$)
Return Loss	SM	$\geq 50\text{dB}$
Mechanical	Plug	$\leq 1000\text{N}$ (Main Cable)
	Socket	$\leq 100\text{N}$ (Branch Cable)
Operation Temp.		$-40^{\circ}\text{C} \sim 85^{\circ}\text{C}$
IP Rate		IP67



Socket install Size

Cable Parameter

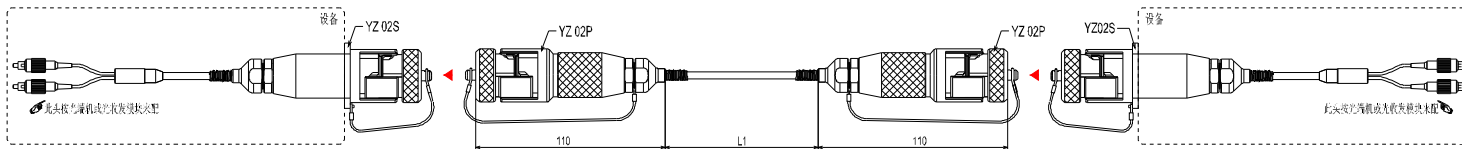
Cable OD.	4.0mm, 7.5mm
Outer Sheath	TPU
Anti-push Unit	KEVLAR
Fiber Type	9/125、50/125、62.5/125
Fiber Outer	900um fiber
Tensile Strength	Short term: 600N Long term: 200N



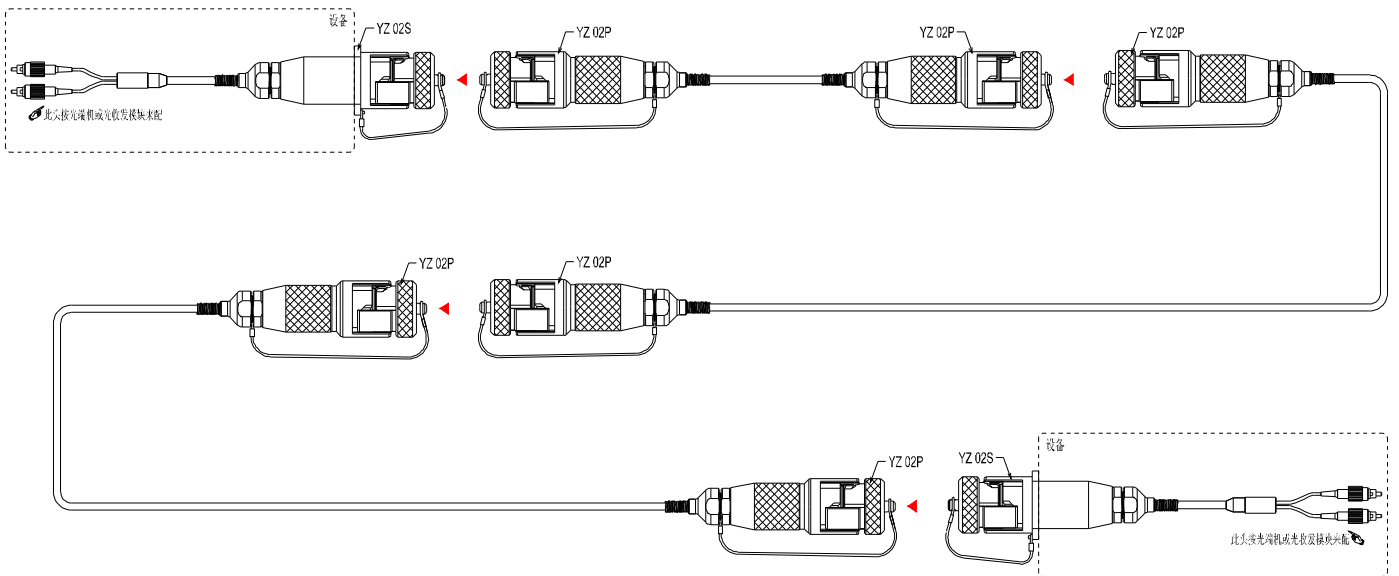
Branch Connector



Connection Drawing



Two equipment Link connection drawing



Two equipment Link connection extending Drawing