



D38999 Tactical Connector

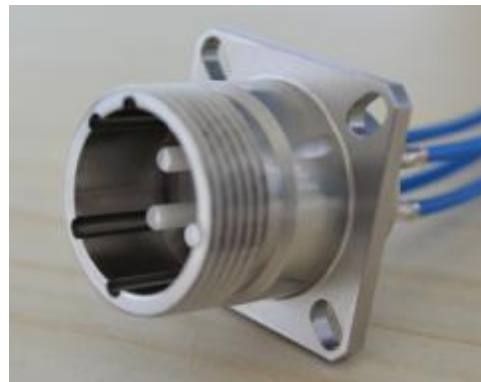
Product Overview

5-fiber optical fiber connectors meet GJB599A (MIL-DTL-38999K) MIL standard threaded connectors are three quick connection, while using five key positioning, blind interpolation and error-proofing and anti-vibration function interpolation, connectors made of stainless steel 316L material, contact density, anti-electromagnetic shielding, fiber optic components removable for easy on-site installation, connector loss, high reliability; waterproof, dustproof, corrosion resistance and other characteristics. Mainly used for: marine ship equipment communications, airborne equipment, Acid, hydrochloric acid, humidity and other harsh environments, military communications and outdoor harsh environments communication.

Products Pics & Ordering Info



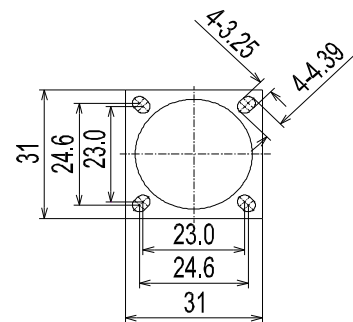
2 fiber Plug (ODC02P) Stainless Steel



5 fiber Socket (ODC05FS) Stainless Steel

Connector Parameter

Insertion Loss	SM	$\leq 0.7\text{dB}$ (Typical $\leq 0.5\text{dB}$)
	MM	$\leq 0.5\text{dB}$ (Typical $\leq 0.2\text{dB}$)
Return Loss	SM	$\geq 50\text{dB}$
Mechanical	Plug	$\leq 1000\text{N}$ (Main Cable)
	Socket	$\leq 100\text{N}$ (Branch Cable)
Operation Temp.		$-40^{\circ}\text{C} \sim 85^{\circ}\text{C}$
IP Rate		IP68



Socket install Size

Cable Parameter

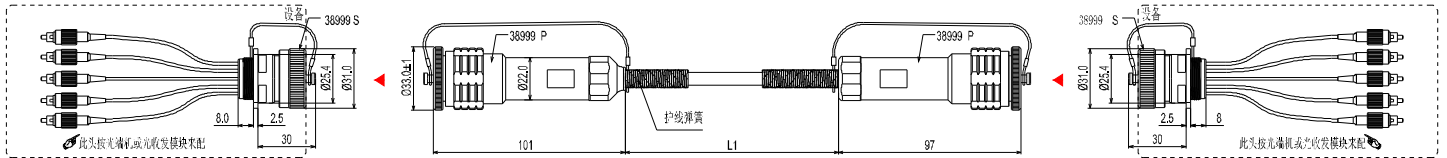
Cable OD.	6.5mm
Outer Sheath	PVC or TPU
Anti-push Unit	KEVLAR
Fiber Type	9/125、50/125、62.5/125
Fiber Outer	900um fiber
Tensile Strength	Short term: 600N/ Long term: 200N



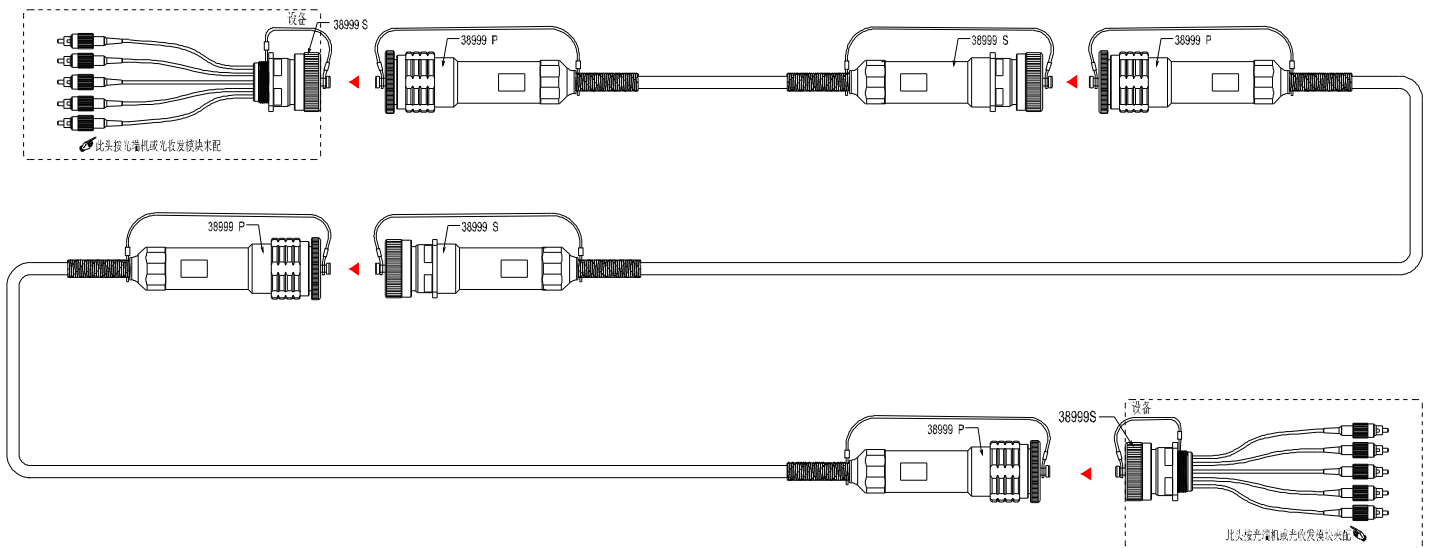
Branch Connector



Connection Drawing



Two equipment Link connection drawing



Two equipment Link connection extending Drawing