



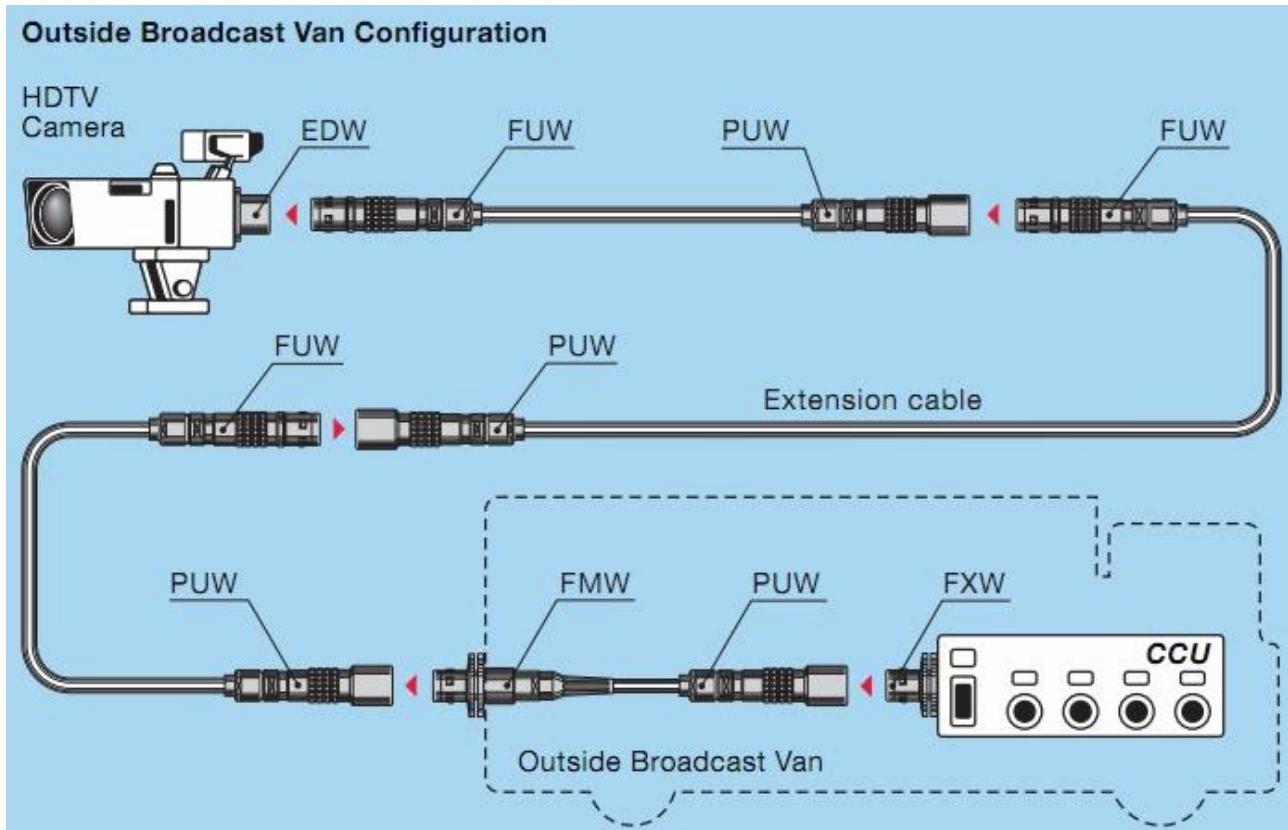
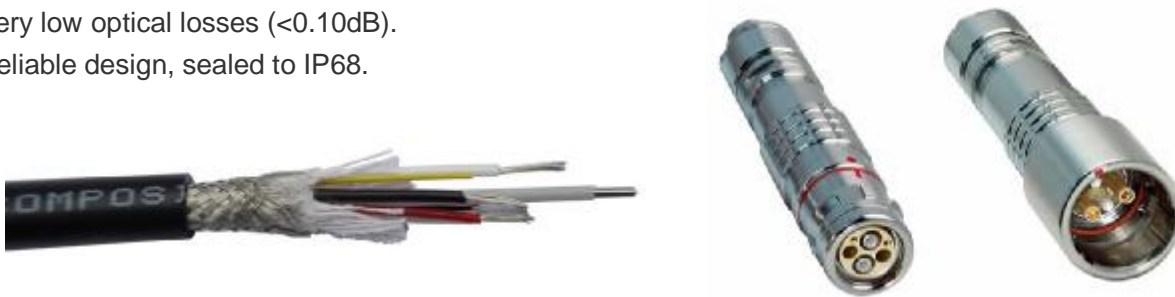
HD Fiber Hybrid Cable Assemblies (3K.93C)

General Information:

The LEMO 3K.93C connector series has a proven track record in various studio, stadium and outside broadcast installations. The LEMO 3K.93C has increasingly become a standard product in the broadcasting sector, it is highly reliable, and is easy to maintain. Manufactured in stainless steel, the LEMO 3K.93C connector incorporates the excellent LEMO push-pull latching system, and is suitable for up to 20,000 mating cycles and above. The LEMO HDTV camera connectors use the F2 type fibre optic contact, employing high quality ceramic technology to achieve superb optical performance, with consistent physical contact of all the polished end faces.

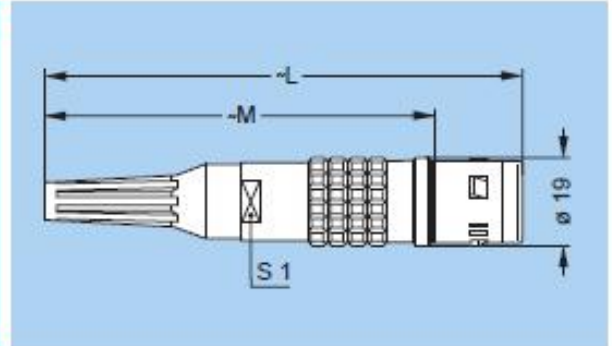
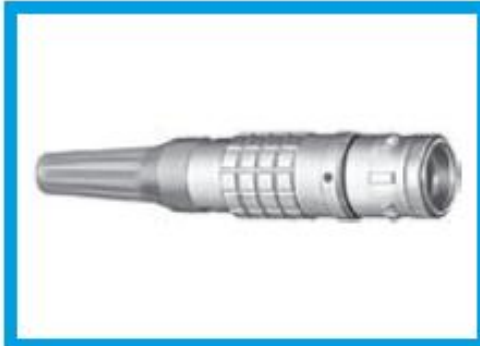
Main Features:

- Push-pull self-latching system for quick and easy mating.
- Compact design with 2 fibres, 2 power contacts and 2 signal contacts.
- Easy cleaning of the fibre optic contact ferrules.
- Tested to the requirements of IEC 61300.
- Very low optical losses (<0.10dB).
- Reliable design, sealed to IP68.

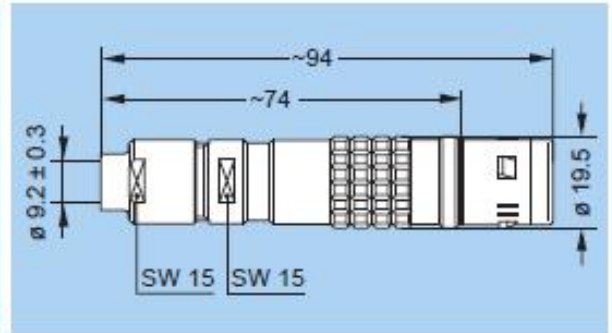




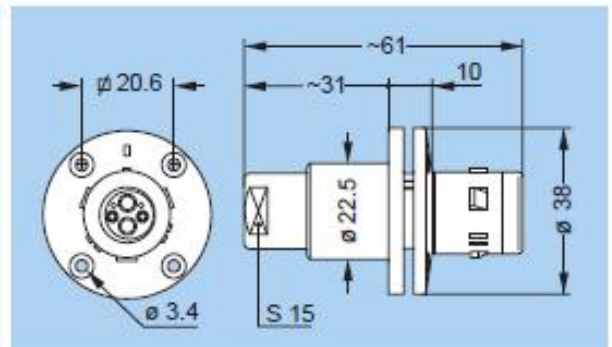
FGW



FUW



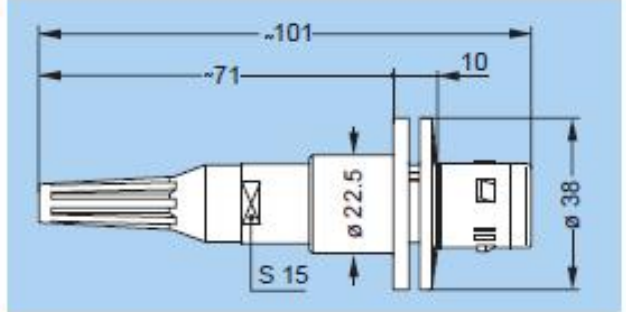
FXW



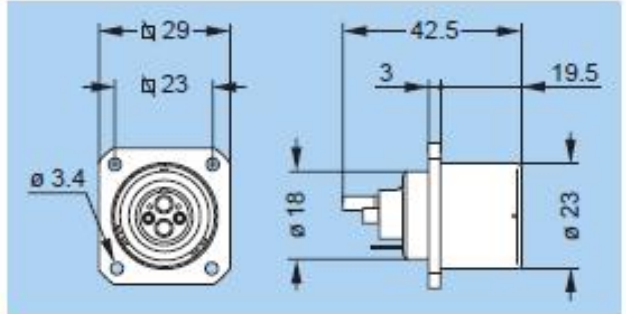
Units:mm



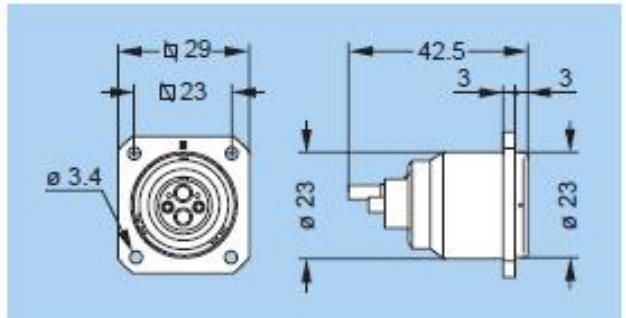
FMW



EDW



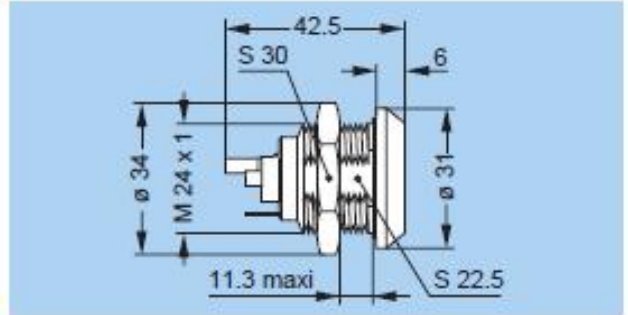
EBW



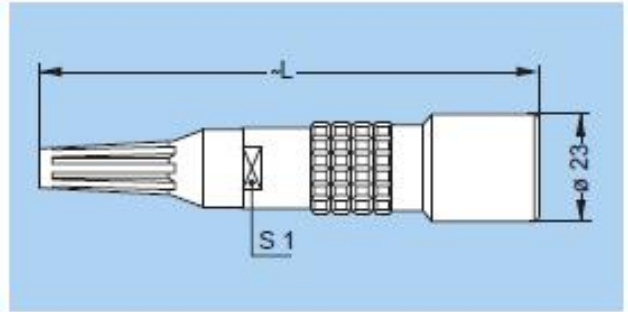
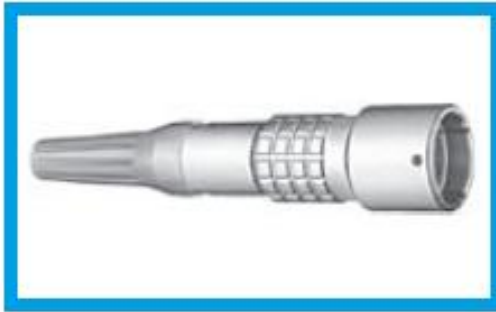
Units:mm



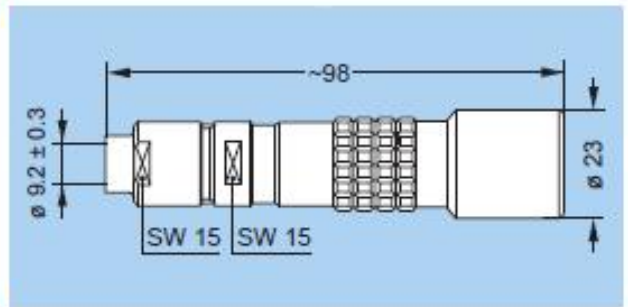
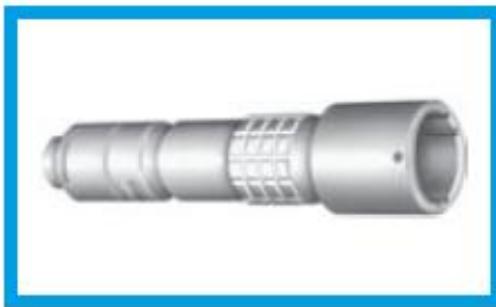
ENW



PHW



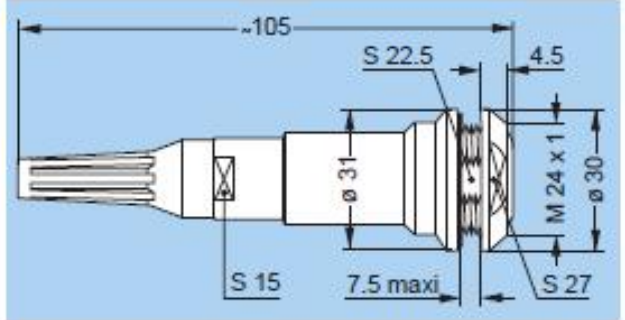
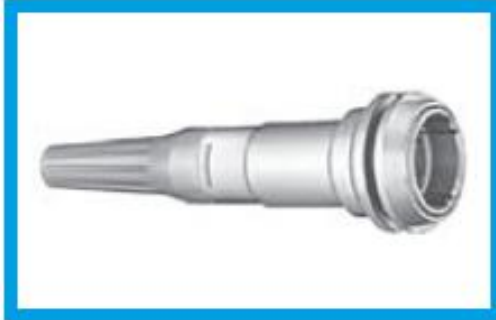
PUW



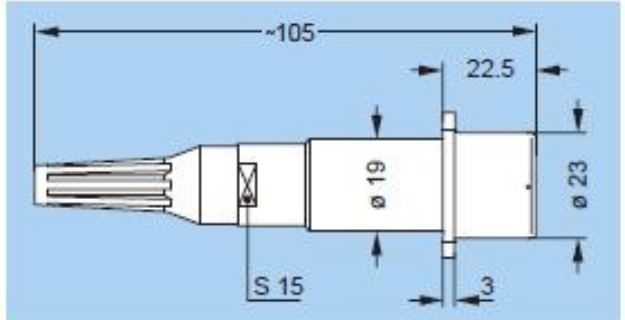
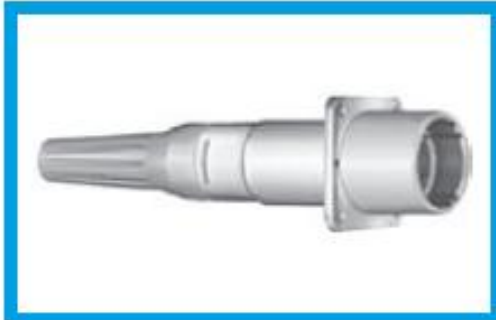
Units:mm



PEW



PBW



Units:mm